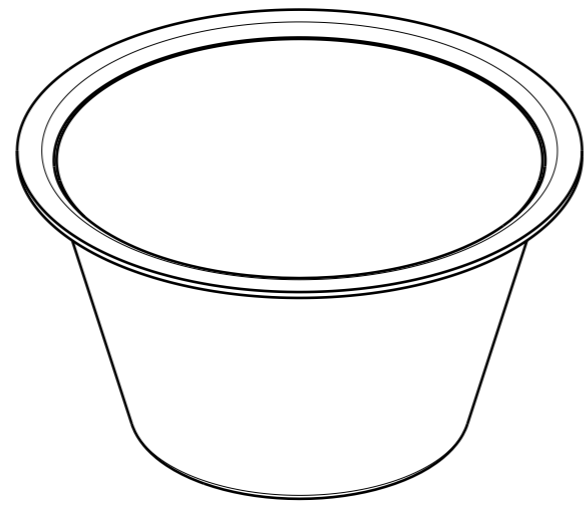
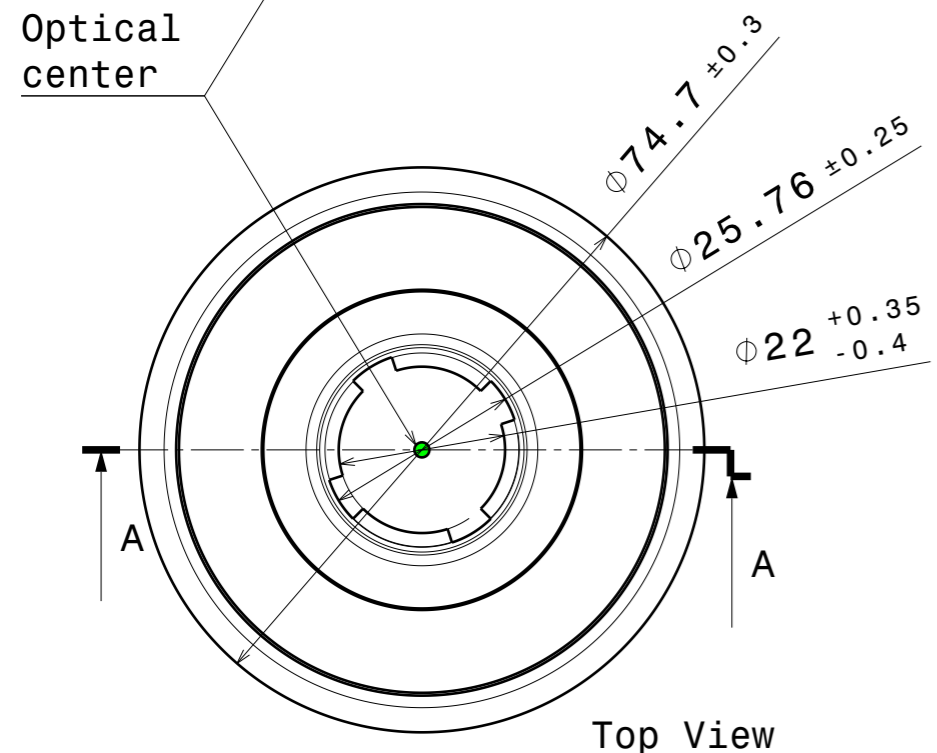


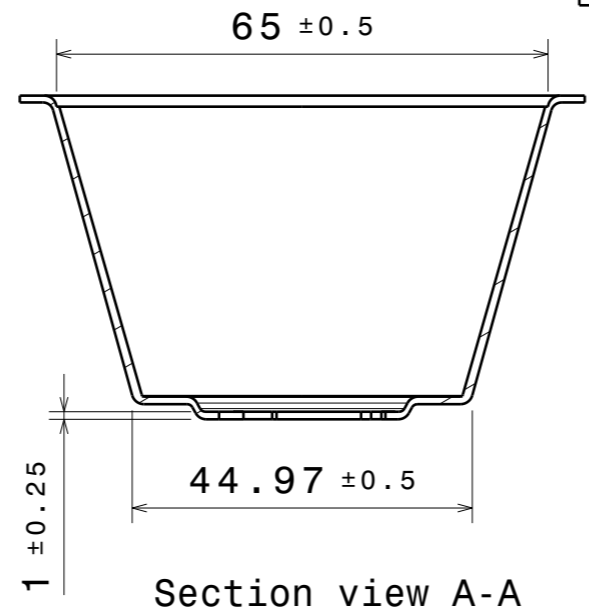
Front View



Isometric View

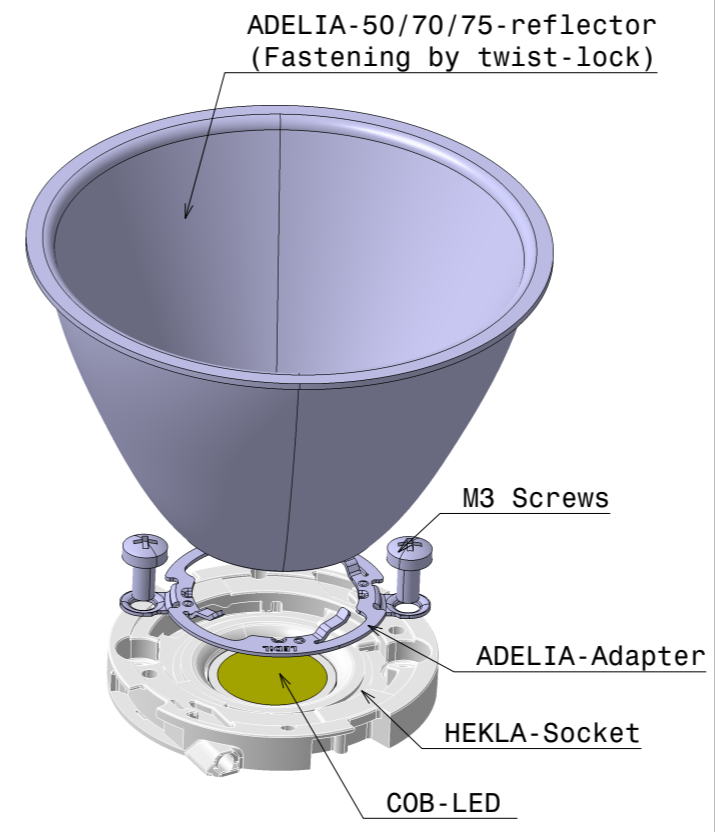


Top View

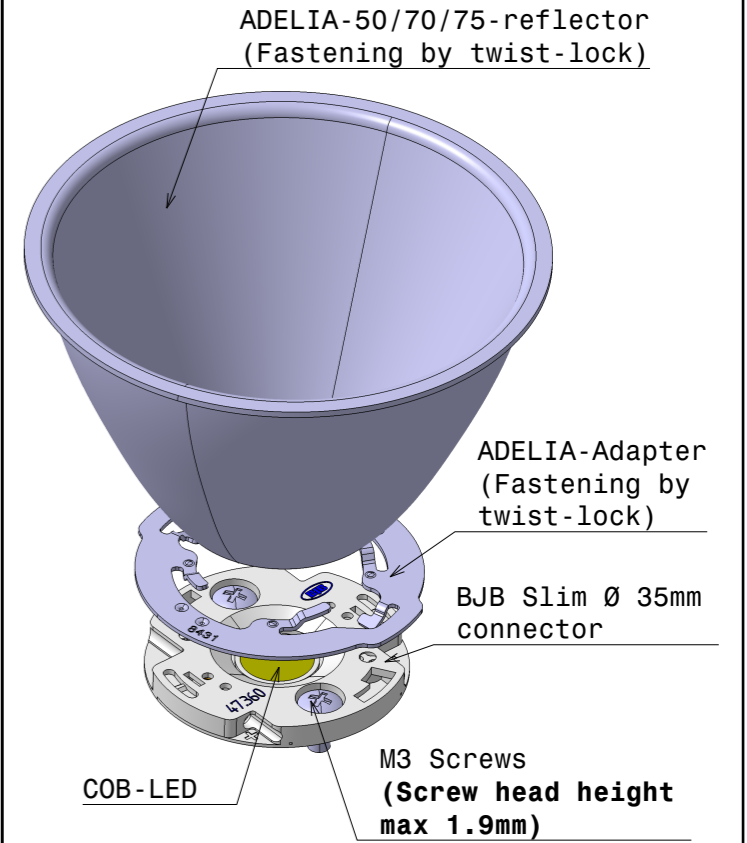


Section view A-A

Example assembly with Hekla socket:



Example assembly with slim Ø 35mm BJB socket:



| PART                 | TYPE      | MATERIAL  | COLOR / COATING |
|----------------------|-----------|-----------|-----------------|
| C18985_ADELIA-75-WW2 | Reflector | Aluminium | Polished        |

|  |                             |
|--|-----------------------------|
| <b>MECHANICAL DRAWING</b>  |                             |
| PRODUCT  | <b>ADELIA</b>               |
| Plastic moulding general tolerances according to DIN 16901-130 and applies if not otherwise shown in the drawing. Silicone moulding general tolerances according to ISO 3302-1 Class M3 and applies if not otherwise shown in the drawing. | FIRST ANGLE PROJECTION:<br> |
| SCALE 1:1  | WEIGHT -                    |

**LEDiL**

This drawing is the property of LEDiL Oy. It may not be copied or otherwise distributed without prior written permission from LEDiL Oy.

**Notes**

|  |   |
|--|---|
|  | PCB or heatsink level.  |
|  | LED location  |
|  | Ensure LED fitting from a product specific 3D model available from <a href="http://www.ledil.com">www.ledil.com</a>         |
|  | For more details about installation please see LEDiL Installation Guide on <a href="http://www.ledil.com">www.ledil.com</a> |